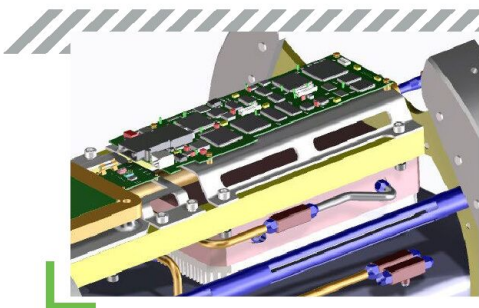


Creo Elements/Direct Modeling

Creo Elements/Direct Modeling is a comprehensive system for mechanical engineers and designers who create products using the 'direct modeling' approach to 3D CAD. It includes the market's most comprehensive direct modeling capabilities, as well as a full range of extensions. You, or anyone on your team, can pick up and work on a direct 3D product design with minimal ramp-up time. And you can easily incorporate multi-CAD data from partners or suppliers and then go on to quickly produce a digital prototype or proposal.

Comprehensive Set of Direct Modeling Capabilities:

- Shave time off design cycles by repurposing or radically transforming existing designs
- Rapidly iterate product designs to unlock opportunities for better products
- Accommodate major, unexpected design changes at any stage thus keeping the transition to manufacturing on schedule
- Increase engineering productivity by eliminating bottlenecks and delays via flexible design teams
- Leverage multi-source CAD data in the design process
- Move from 2D to 3D easily and/or switch from other 3D CAD systems
- Accelerate product development by taking advantage of integrations with other Creo and PTC products for advanced CAE, CAM, Augmented Reality, enterprise-wide visualization and technical illustration.



Creo Elements/Direct 3D Access:

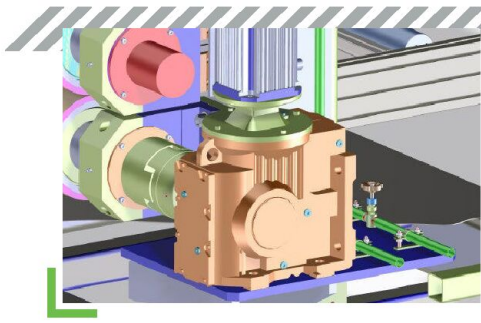
A CAD viewer for sharing 2D and 3D product design concepts across the organization and the supply chain

Creo Elements/Direct Advanced Design:

A set of five integrated Creo Elements/Direct Modeling modules that work together to resolve potential manufacturing issues in your digital prototype. Including powerful simplification capabilities

Creo AR Design Share:

You can view and share designs, securely collaborate with colleagues, customers, suppliers and stakeholders across the enterprise, and access your designs anywhere, anytime



Creo Elements/Direct Cabling:

Creates cables, harnesses, and bill-of-materials documentation, including drawings for electrical cables, harness routes, and nail boards

Creo Elements/Direct Finite Element Analysis:

A powerful Finite Element Analysis (FEA) tool for quickly analyzing your product's performance under real-world design conditions

Creo Elements/Direct Mold Base:

Helps with the tedious task of creating mold plates and components by way of its highly interactive and intelligent tooling

Creo Elements/Direct Part Library:

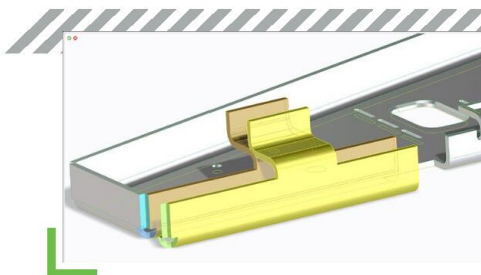
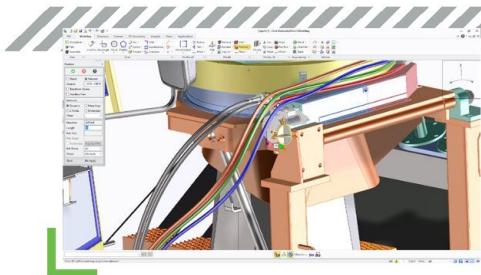
A library of over 173,000 ANSI, DIN, ISO and JIS components, such as bolts, washers, nuts and miscellaneous hardware

Creo Elements/Direct Sheet Metal:

Extends the 3D CAD power of Creo Elements/Direct Modeling by giving you fast, flexible 3D design and data management capabilities

Creo Elements/Direct Surfacing:

Gives you powerful and robust surfacing capabilities to create stylized surfaces and design freeform shapes



© 2023, PTC Inc. (PTC). All rights reserved. Information described herein is furnished for informational use only, is subject to change without notice, and should not be taken as a guarantee, commitment, or offer by PTC. PTC, the PTC logo, and all PTC product names and logos are trademarks or registered trademarks of PTC and/or its subsidiaries in the United States and other countries. All other product or company names are property of their respective owners. The timing of any product release, including any features or functionality, is subject to change at PTC's discretion.

272095_Creo_EDM_0223