

Creo® GD&T Advisor Extensions

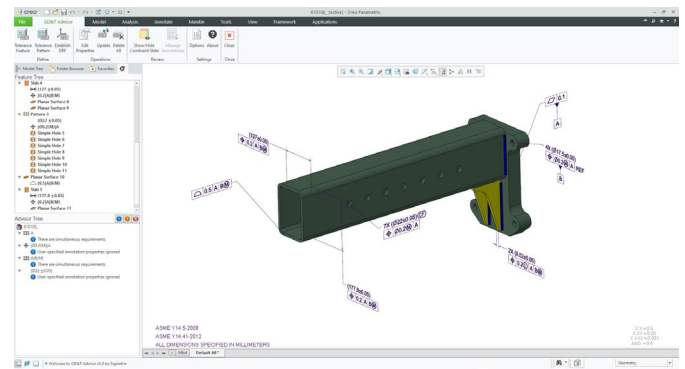
Fast, Easy, and Accurate GD&T Creation

Geometric dimensioning and tolerancing (GD&T) is painstaking manual work, as anyone knows who has spent more time detailing a model than designing it. Worse, the very nature of this complex process means it is prone to error. With our partners at Sigmatrix, we've developed the Creo GD&T Advisor and GD&T Advisor Advanced extensions to resolve these issues and put your focus back to where it should be – on your design.

Creo GD&T Advisor, provides both expert guidance on the application of GD&T and validation that it has been done correctly. When your model is complete, you can be confident that it complies with the relevant standard and is fully constrained.

Creo GD&T Advisor also improves your productivity when applying GD&T, reducing the number of mouse clicks and time required by up to 75%. The software simplifies the understanding of the complex GD&T standards by providing readily available guidance during every step of the application process.

With Creo GD&T Advisor, you'll apply GD&T correctly the first time, saving money and reducing tedium.



Functional feature-centric view of GD&T.

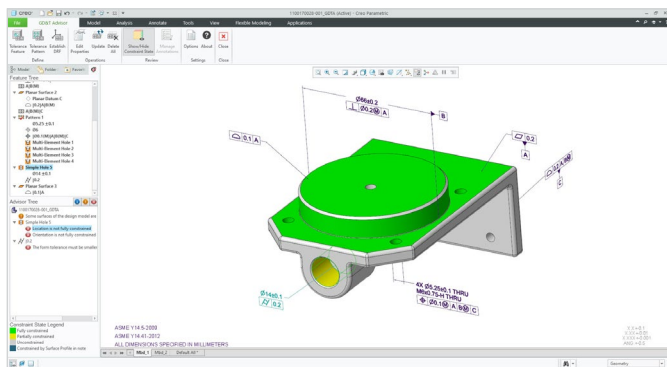
GD&T Advisor Advanced Extension

In addition to all of the GD&T Advisor capabilities, the Creo GD&T Advisor Advanced extension provides guided creation of GD&T annotations in the assembly mode, similar to the part mode support.

It also allows you to reuse & validate existing GD&T annotations from your legacy models while highlighting errors & providing recommendations on how best to resolve the problems uncovered.

Standards Rulesets

- ASME Y14.5-2009, 2018 and associated standards
- ISO 1101: 2012, 2017 and associated standards



Informative advisor messages guide and educate the user.

Key Benefits

- Increases productivity
- Reduces costs
- Provides consistency
- Eliminates mistakes due to human error
- Improves design communications, reducing the chance of misinterpreted or ambiguous information
- Enhances GD&T understanding

Capabilities and Specifications

Creation

- Efficient and intelligent application of functionally and syntactically correct GD&T for 3D part models

Validation

- Visual indications of syntactic errors and under-constrained geometry
- Detailed report about mismatched & unvalidated annotations and user control over required updates

Education

- Extensive help content, informative tool tips, and advisor messages aid in understanding of GD&T concepts

Utilization

- Intelligent, native Creo annotations are usable in downstream processes such as drawing production, tolerance analysis, computer aided inspection, and other design activities

The Creo Advantage

Creo is the 3D CAD solution that helps you accelerate product innovation to build better products faster. Easy-to-learn Creo uses a model-based approach to seamlessly take you from the earliest phases of product design to manufacturing and beyond. Combining powerful, proven functionality with new technologies including generative design, real-time simulation, advanced manufacturing, IIoT and augmented reality, Creo helps you iterate faster, reduce costs and improve product quality. Creo is also available as a SaaS product, providing innovative cloud-based tools for real-time collaboration and streamlined license management and deployment. The world of product development moves quickly, and only Creo delivers the transformative tools you need to build competitive advantage and gain market share.

Language support

English, French, German, Italian, Korean, Japanese, Russian, Brazilian Portuguese, Spanish and Chinese (Simplified and Traditional).

Platform Support and System Requirements

Visit the [PTC support page](#) for the most up-to-date platform support and system requirements.

For more information, please visit: <http://www.ptc.com/product/creo/> or contact a PTC sales representative.

© 2024, PTC Inc. (PTC). All rights reserved. Information described herein is furnished for informational use only, is subject to change without notice, and should not be taken as a guarantee, commitment, or offer by PTC. PTC, the PTC logo, and all PTC product names and logos are trademarks or registered trademarks of PTC and/or its subsidiaries in the United States and other countries. All other product or company names are property of their respective owners. The timing of any product release, including any features or functionality, is subject to change at PTC's discretion.

402985_Creo_11_GD&T_Advisor_Datasheet_0224