

Triconex Ethernet Driver

© 2026 PTC Inc. All Rights Reserved.

Table of Contents

Triconex Ethernet Driver	1
Table of Contents	2
Welcome to the Triconex Ethernet Driver Help	4
Overview	4
Setup	4
Channel Properties – General	5
Tag Counts	5
Channel Properties – Write Optimizations	6
Channel Properties – Advanced	6
Channel Properties – Network Interface	7
Device Properties – General	8
Operating Mode	8
Tag Counts	9
Device Properties – Scan Mode	9
Device Properties – Timing	10
Device Properties – Auto-Demotion	11
Device Properties – Tag Generation	11
Device Properties – CM Configuration	13
Device Properties – Communications	13
Device Properties – Tag Import	14
Network Redundancy	15
Optimizing Communications	17
Automatic Tag Database Generation	18
Data Types Description	19
Address Descriptions	20
Tricon Addressing	20
Tricon Extended Addressing	22
Trident Addressing	24
Device System Tags	25
Error Descriptions	27
Address '<address>' is out of range for the specified device or register	28
Data Type '<type>' is not valid for device address '<address>'	28
Device address '<address>' contains a syntax error	28
Device address '<address>' is not supported by model '<model name>'	28
Device address '<address>' is Read Only	28
Missing address	29
Could not detect available network adapters for <primary/secondary> network	29
Device '<device name>' is not responding	29
Failed to load Winsock or related library	29
Tag import error - invalid bin in item path: '<item path>'	30
Tag import error - invalid item path format: '<item path>'	30

Tag import error - invalid name: '<tag name>'	30
Tag import error - invalid offset in item path: '<item path>'	30
Tag import failed. Could not find data for node '<node>'	31
Tag import failed. Could not open file '<file>'	31
Tag import failed due to unexpected XML format in '<file>'	31
Tag import failed. No import file name or system tags specified	31
Unable to process data update on device '<device>'. CRC error	32
Unable to process data update on device '<device>'. Unexpected message format	32
Unable to process data update on device '<device>'. Unexpected model	32
Unable to process data update on device '<device>'. Unexpected node number	32
Unable to use network redundancy on channel '<channel>'	32
Unable to use specified primary network adapter '<adapter>' on channel '<channel>'	33
Unable to use specified secondary network adapter '<adapter>' on channel '<channel>'	33
Winsock initialization failed (OS Error = <error code>)	34
Winsock V1.1 or higher must be installed to use the Triconex Ethernet device driver	34
Write failed for tag '<address>' on device '<device>'. CRC error	34
Write failed for tag '<address>' on device '<device>'. No data for Read/Modify/Write	34
Write failed for tag '<address>' on device '<device>'. Timeout	35
Write failed for tag '<address>' on device '<device>'. TSAA Response Code: <code>	35
Write failed for tag '<address>' on device '<device>'. Unexpected model	35
Write failed for tag '<address>' on device '<device>'. Unexpected node number	36
Write failed for tag '<address>' on device '<device>'. Unexpected response format	36
Index	37

Welcome to the Triconex Ethernet Driver Help

This is the user documentation for Kepware Triconex Ethernet Driver. This help center is updated regularly to reflect the latest functionality and information.

[Overview](#)

What is the Triconex Ethernet Driver?

[Setup](#)

How do I configure a device for use with this driver?

[Network Redundancy](#)

How can I use a redundant network with this driver?

[Optimizing Communications](#)

How can I configure this driver for optimum performance?

[Automatic Tag Database Generation](#)

How can I import tags from a Triconex TriStation project?

[Data Types Description](#)

What data types does this driver support?

[Address Descriptions](#)

How do I address a data location on a Triconex Ethernet device?

[Error Descriptions](#)

What messages does the Triconex Ethernet Driver produce?

Version 1.025

© 2026 PTC Inc. All Rights Reserved.

Overview

The Triconex Ethernet Driver provides an easy and reliable way to connect Triconex Ethernet devices to OPC Client applications, including HMI, SCADA, Historian, MES, ERP and countless custom applications. It is intended for use with Triconex Tricon and Trident devices equipped with Ethernet communications modules. Network redundancy is supported.

Setup

Supported Devices

Tricon
Trident

Communication Protocol

Triconex System Access Application (TSAA)

Channel and Device Limits

The maximum number of channels supported by this driver is 64. The maximum number of devices supported by this driver is 63 per channel.

Request Timeout

This property specifies the number of milliseconds that the driver will wait for a response before retrying. Users may specify a request timeout between 100 to 30000 milliseconds. For this driver, request timeouts only apply to Write operations. The device may take up to four scan cycles to complete a Write request. The controller may be programmed to use a scan period as large as 400 milliseconds. Setting the request timeout too low may cause the driver to assume a write has failed when it hasn't been processed by the controller yet. Available in the [Timing](#) properties group.

● **Note:** Data is read from cache, which is updated at a regular interval. *For more information, refer to [Communications](#).*

Channel Properties – General

This server supports the use of multiple simultaneous communications drivers. Each protocol or driver used in a server project is called a channel. A server project may consist of many channels with the same communications driver or with unique communications drivers. A channel acts as the basic building block of an OPC link. This group is used to specify general channel properties, such as the identification attributes and operating mode.

Property Groups General Write Optimizations Advanced	<table border="1"> <tr> <td colspan="2">[-] Identification</td> </tr> <tr> <td>Name</td> <td></td> </tr> <tr> <td>Description</td> <td></td> </tr> <tr> <td>Driver</td> <td></td> </tr> <tr> <td colspan="2">[-] Diagnostics</td> </tr> <tr> <td>Diagnostics Capture</td> <td>Disable</td> </tr> <tr> <td colspan="2">[-] Tag Counts</td> </tr> <tr> <td>Static Tags</td> <td>10</td> </tr> </table>	[-] Identification		Name		Description		Driver		[-] Diagnostics		Diagnostics Capture	Disable	[-] Tag Counts		Static Tags	10
[-] Identification																	
Name																	
Description																	
Driver																	
[-] Diagnostics																	
Diagnostics Capture	Disable																
[-] Tag Counts																	
Static Tags	10																

Identification

Name: Specify the user-defined identity of this channel. In each server project, each channel name must be unique. Although names can be up to 256 characters, some client applications have a limited display window when browsing the OPC server's tag space. The channel name is part of the OPC browser information. The property is required for creating a channel.

• For information on reserved characters, refer to "How To... Properly Name a Channel, Device, Tag, and Tag Group" in the server help.

Description: Specify user-defined information about this channel.

• Many of these properties, including Description, have an associated system tag.

Driver: Specify the protocol / driver for this channel. Specify the device driver that was selected during channel creation. It is a disabled setting in the channel properties. The property is required for creating a channel.

• **Note:** With the server's online full-time operation, these properties can be changed at any time. This includes changing the channel name to prevent clients from registering data with the server. If a client has already acquired an item from the server before the channel name is changed, the items are unaffected. If, after the channel name has been changed, the client application releases the item and attempts to re-acquire using the old channel name, the item is not accepted. Changes to the properties should not be made once a large client application has been developed. Utilize proper user role and privilege management to prevent operators from changing properties or accessing server features.

Diagnostics

Diagnostics Capture: When enabled, this option makes the channel's diagnostic information available to OPC applications. Because the server's diagnostic features require a minimal amount of overhead processing, it is recommended that they be utilized when needed and disabled when not. The default is disabled.

• **Note:** This property is not available if the driver or operating system does not support diagnostics.

• For more information, refer to *Communication Diagnostics and Statistics Tags* in server help.

Tag Counts

Static Tags: Provides the total number of defined static tags at this level (device or channel). This information can be helpful in troubleshooting and load balancing.

Channel Properties – Write Optimizations

The server must ensure that the data written from the client application gets to the device on time. Given this goal, the server provides optimization properties to meet specific needs or improve application responsiveness.

Property Groups	[-] Write Optimizations	
General	Optimization Method	Write Only Latest Value for All Tags
Write Optimizations	Duty Cycle	10

Write Optimizations

Optimization Method: Controls how write data is passed to the underlying communications driver. The options are:

- **Write All Values for All Tags:** This option forces the server to attempt to write every value to the controller. In this mode, the server continues to gather write requests and add them to the server's internal write queue. The server processes the write queue and attempts to empty it by writing data to the device as quickly as possible. This mode ensures that everything written from the client applications is sent to the target device. This mode should be selected if the write operation order or the write item's content must uniquely be seen at the target device.
- **Write Only Latest Value for Non-Boolean Tags:** Many consecutive writes to the same value can accumulate in the write queue due to the time required to actually send the data to the device. If the server updates a write value that has already been placed in the write queue, far fewer writes are needed to reach the same final output value. In this way, no extra writes accumulate in the server's queue. When the user stops moving the slide switch, the value in the device is at the correct value at virtually the same time. As the mode states, any value that is not a Boolean value is updated in the server's internal write queue and sent to the device at the next possible opportunity. This can greatly improve the application performance.
 - **Note:** This option does not attempt to optimize writes to Boolean values. It allows users to optimize the operation of HMI data without causing problems with Boolean operations, such as a momentary push button.
- **Write Only Latest Value for All Tags:** This option takes the theory behind the second optimization mode and applies it to all tags. It is especially useful if the application only needs to send the latest value to the device. This mode optimizes all writes by updating the tags currently in the write queue before they are sent. This is the default mode.

Duty Cycle: is used to control the ratio of write to read operations. The ratio is always based on one read for every one to ten writes. The duty cycle is set to ten by default, meaning that ten writes occur for each read operation. Although the application is performing a large number of continuous writes, it must be ensured that read data is still given time to process. A setting of one results in one read operation for every write operation. If there are no write operations to perform, reads are processed continuously. This allows optimization for applications with continuous writes versus a more balanced back and forth data flow.

● **Note:** It is recommended that the application be characterized for compatibility with the write optimization enhancements before being used in a production environment.

Channel Properties – Advanced

This group is used to specify advanced channel properties. Not all drivers support all properties; so the Advanced group does not appear for those devices.

Property Groups	[-] Non-Normalized Float Handling	
General	Floating-Point Values	Replace with Zero
Write Optimizations	[-] Inter-Device Delay	
Advanced	Inter-Device Delay (ms)	0

Non-Normalized Float Handling: A non-normalized value is defined as Infinity, Not-a-Number (NaN), or as a Denormalized Number. The default is Replace with Zero. Drivers that have native float handling may default to Unmodified. Non-normalized float handling allows users to specify how a driver handles IEEE-754 floating point data. Descriptions of the options are as follows:

- **Replace with Zero:** This option allows a driver to replace non-normalized IEEE-754 floating point values with zero before being transferred to clients.
- **Unmodified:** This option allows a driver to transfer IEEE-754 denormalized, normalized, non-number, and infinity values to clients without any conversion or changes.

● **Note:** This property is disabled if the driver does not support floating-point values or if it only supports the option that is displayed. According to the channel's float normalization setting, only real-time driver tags (such as values and arrays) are subject to float normalization. For example, EFM data is not affected by this setting.

● *For more information on the floating-point values, refer to "How To ... Work with Non-Normalized Floating-Point Values" in the server help.*

Inter-Device Delay: Specify the amount of time the communications channel waits to send new requests to the next device after data is received from the current device on the same channel. Zero (0) disables the delay.

● **Note:** This property is not available for all drivers, models, and dependent settings.

Channel Properties – Network Interface

Network Interface

Network Interface	
Enable Network Redundancy	No
Primary Network Adapter	Intel(R) PRO/1000... [10.10.111.81]
Secondary Network Adapter	Intel(R) PRO/1000... [10.10.111.81]

Descriptions of the properties are as follows:

- **Enable Network Redundancy:** This property enables network redundancy. It will be enabled by default if the PC has more than one network adapter card (NIC) installed.
- **Primary Network Adapter:** This property specifies the NIC to which the primary network is connected.
- **Secondary Network Adapter:** This property specifies the NIC to which the optional secondary network is connected. This secondary NIC cannot be the same as the primary NIC, and should have different subnet addresses.

● **See Also:** [Network Redundancy](#)

● **Note:** These properties are specific to the host computer. If a Triconex Ethernet Driver project is copied to another machine, these properties will most likely need to be changed. The driver will post a message to the server's Event Log if changes are required. In order for Windows to correctly report the configuration to the driver, the network adapters must be connected to a device or hub.

● **See Also:**

[Unable to use specified primary network adapter '<adapter>' on channel '<channel>'](#)

[Unable to use specified secondary network adapter '<adapter>' on channel '<channel>'](#)

[Unable to use network redundancy on channel '<channel>'](#)

Device Properties – General

A device represents a single target on a communications channel. If the driver supports multiple controllers, users must enter a device ID for each controller.

<table border="1"> <tr> <th colspan="2">Property Groups</th> </tr> <tr> <td colspan="2">General</td> </tr> </table>	Property Groups		General		<table border="1"> <tr> <td colspan="2">[-] Identification</td> </tr> <tr> <td>Name</td> <td></td> </tr> <tr> <td>Description</td> <td></td> </tr> <tr> <td>Channel Assignment</td> <td></td> </tr> <tr> <td>Driver</td> <td></td> </tr> <tr> <td>Model</td> <td></td> </tr> <tr> <td>ID Format</td> <td>Decimal</td> </tr> <tr> <td>ID</td> <td>2</td> </tr> </table>	[-] Identification		Name		Description		Channel Assignment		Driver		Model		ID Format	Decimal	ID	2
Property Groups																					
General																					
[-] Identification																					
Name																					
Description																					
Channel Assignment																					
Driver																					
Model																					
ID Format	Decimal																				
ID	2																				

Identification

Name: Specify the name of the device. It is a logical user-defined name that can be up to 256 characters long and may be used on multiple channels.

- **Note:** Although descriptive names are generally a good idea, some OPC client applications may have a limited display window when browsing the OPC server's tag space. The device name and channel name become part of the browse tree information as well. Within an OPC client, the combination of channel name and device name would appear as "ChannelName.DeviceName".
- For more information, refer to "How To... Properly Name a Channel, Device, Tag, and Tag Group" in server help.

Description: Specify the user-defined information about this device.
 ● Many of these properties, including Description, have an associated system tag.

Channel Assignment: Specify the user-defined name of the channel to which this device currently belongs.

Driver: Selected protocol driver for this device.

Model: Specify the type of device that is associated with this ID. The contents of the drop-down menu depend on the type of communications driver being used. Models that are not supported by a driver are disabled. If the communications driver supports multiple device models, the model selection can only be changed when there are no client applications connected to the device.

- **Note:** If the communication driver supports multiple models, users should try to match the model selection to the physical device. If the device is not represented in the drop-down menu, select a model that conforms closest to the target device. Some drivers support a model selection called "Open," which allows users to communicate without knowing the specific details of the target device. For more information, refer to the driver documentation.

ID: Specify the device's driver-specific station or node. The type of ID entered depends on the communications driver being used. For many communication drivers, the ID is a numeric value. Drivers that support a Numeric ID provide users with the option to enter a numeric value whose format can be changed to suit the needs of the application or the characteristics of the selected communications driver. The format is set by the driver by default. Options include Decimal, Octal, and Hexadecimal.

- **Note:** If the driver is Ethernet-based or supports an unconventional station or node name, the device's TCP/IP address may be used as the device ID. TCP/IP addresses consist of four values that are separated by periods, with each value in the range of 0 to 255. Some device IDs are string based. There may be additional properties to configure within the ID field, depending on the driver.

Operating Mode

<table border="1"> <tr> <th colspan="2">Property Groups</th> </tr> <tr> <td colspan="2">General</td> </tr> </table>	Property Groups		General		<table border="1"> <tr> <td colspan="2">+ Identification</td> </tr> <tr> <td colspan="2">[-] Operating Mode</td> </tr> <tr> <td>Data Collection</td> <td>Enable</td> </tr> <tr> <td>Simulated</td> <td>No</td> </tr> </table>	+ Identification		[-] Operating Mode		Data Collection	Enable	Simulated	No
Property Groups													
General													
+ Identification													
[-] Operating Mode													
Data Collection	Enable												
Simulated	No												

Data Collection: This property controls the device's active state. Although device communications are enabled by default, this property can be used to disable a physical device. Communications are not attempted when a device is disabled. From a client standpoint, the data is marked as invalid and write operations are not accepted. This property can be changed at any time through this property or the device system tags.

Simulated: Place the device into or out of Simulation Mode. In this mode, the driver does not attempt to communicate with the physical device, but the server continues to return valid OPC data. Simulated stops physical communications with the device, but allows OPC data to be returned to the OPC client as valid data. While in Simulation Mode, the server treats all device data as reflective: whatever is written to the simulated device is read back and each OPC item is treated individually. The data is not saved if the server removes the item (such as when the server is reinitialized). The default is No.

● **Notes:**

1. Updates are not applied until clients disconnect and reconnect.
2. The System tag (_Simulated) is read only and cannot be written to for runtime protection. The System tag allows this property to be monitored from the client.
3. In Simulation mode, the item's memory map is based on client update rate(s) (Group Update Rate for OPC clients or Scan Rate for native and DDE interfaces). This means that two clients that reference the same item with different update rates return different data.
4. When a device is simulated, updates may not appear faster than one (1) second in the client.

● Simulation Mode is for test and simulation purposes only. It should never be used in a production environment.

Tag Counts

Property Groups	<input type="checkbox"/> Identification <input type="checkbox"/> Operating Mode <input type="checkbox"/> Tag Counts	
General	Static Tags	130

Static Tags: Provides the total number of defined static tags at this level (device or channel). This information can be helpful in troubleshooting and load balancing.

Device Properties – Scan Mode

The Scan Mode specifies the subscribed-client requested scan rate for tags that require device communications. Synchronous and asynchronous device reads and writes are processed as soon as possible; unaffected by the Scan Mode properties.

Property Groups	<input type="checkbox"/> Scan Mode	
General	Scan Mode	Respect Client-Specified Scan Rate ▼
Scan Mode	Initial Updates from Cache	Disable

Scan Mode: Specify how tags in the device are scanned for updates sent to subscribing clients. Descriptions of the options are:

- **Respect Client-Specified Scan Rate:** This mode uses the scan rate requested by the client.
- **Request Data No Faster than Scan Rate:** This mode specifies the value set as the maximum scan rate. The valid range is 10 to 99999990 milliseconds. The default is 1000 milliseconds.
 - **Note:** When the server has an active client and items for the device and the scan rate value is increased, the changes take effect immediately. When the scan rate value is decreased, the changes do not take effect until all client applications have been disconnected.
- **Request All Data at Scan Rate:** This mode forces tags to be scanned at the specified rate for subscribed clients. The valid range is 10 to 99999990 milliseconds. The default is 1000 milliseconds.

- **Do Not Scan, Demand Poll Only:** This mode does not periodically poll tags that belong to the device nor perform a read to get an item's initial value once it becomes active. It is the OPC client's responsibility to poll for updates, either by writing to the `_DemandPoll` tag or by issuing explicit device reads for individual items. *For more information, refer to "Device Demand Poll" in server help.*
- **Respect Tag-Specified Scan Rate:** This mode forces static tags to be scanned at the rate specified in their static configuration tag properties. Dynamic tags are scanned at the client-specified scan rate.

Initial Updates from Cache: When enabled, this option allows the server to provide the first updates for newly activated tag references from stored (cached) data. Cache updates can only be provided when the new item reference shares the same address, scan rate, data type, client access, and scaling properties. A device read is used for the initial update for the first client reference only. The default is disabled; any time a client activates a tag reference the server attempts to read the initial value from the device.

Device Properties – Timing

The device Timing properties allow the driver's response to error conditions to be tailored to fit the application's needs. In many cases, the environment requires changes to these properties for optimum performance. Factors such as electrically generated noise, modem delays, and poor physical connections can influence how many errors or timeouts a communications driver encounters. Timing properties are specific to each configured device.

Property Groups General Scan Mode Timing	<table border="1"> <tr> <td colspan="2">Communication Timeouts</td> </tr> <tr> <td>Connect Timeout (s)</td> <td>3</td> </tr> <tr> <td>Request Timeout (ms)</td> <td>1000</td> </tr> <tr> <td>Attempts Before Timeout</td> <td>3</td> </tr> <tr> <td> </td> <td> </td> </tr> </table>	Communication Timeouts		Connect Timeout (s)	3	Request Timeout (ms)	1000	Attempts Before Timeout	3		
Communication Timeouts											
Connect Timeout (s)	3										
Request Timeout (ms)	1000										
Attempts Before Timeout	3										

Communications Timeouts

Connect Timeout: This property (which is used primarily by Ethernet based drivers) controls the amount of time required to establish a socket connection to a remote device. The device's connection time often takes longer than normal communications requests to that same device. The valid range is 1 to 30 seconds. The default is typically 3 seconds, but can vary depending on the driver's specific nature. If this setting is not supported by the driver, it is disabled.

● **Note:** Due to the nature of UDP connections, the connection timeout setting is not applicable when communicating via UDP.

Request Timeout: Specify an interval used by all drivers to determine how long the driver waits for a response from the target device to complete. The valid range is 50 to 9999999 milliseconds (167 minutes). The default is usually 1000 milliseconds, but can vary depending on the driver. The default timeout for most serial drivers is based on a baud rate of 9600 baud or better. When using a driver at lower baud rates, increase the timeout to compensate for the increased time required to acquire data.

Attempts Before Timeout: Specify how many times the driver issues a communications request before considering the request to have failed and the device to be in error. The valid range is 1 to 10. The default is typically 3, but can vary depending on the driver's specific nature. The number of attempts configured for an application depends largely on the communications environment. This property applies to both connection attempts and request attempts.

Timing

Inter-Request Delay: Specify how long the driver waits before sending the next request to the target device after receiving the response to the previous request. It overrides the normal polling frequency of tags associated with the device, as well as one-time reads and writes. This delay can be useful when dealing with devices with slow turn-around times and in cases where network load is a concern. Configuring a delay for a device affects communications with all other devices on the channel. It is recommended that users separate any device that requires an inter-request delay to a separate channel if possible. Other communications properties (such as communication serialization) can extend this delay. The valid range is 0 to 300,000 milliseconds; however, some drivers may limit the maximum value due to a function of their particular design. The default is 0, which indicates no delay between requests with the target device.

● **Note:** Not all drivers support Inter-Request Delay. This setting does not appear if it is not available.


Property Groups	<input checked="" type="checkbox"/> Timing	
General	Inter-Request Delay (ms)	0
Scan Mode		
Timing		

Device Properties – Auto-Demotion

The Auto-Demotion properties can temporarily place a device off-scan in the event that a device is not responding. By placing a non-responsive device offline for a specific time period, the driver can continue to optimize its communications with other devices on the same channel. After the time period has been reached, the driver re-attempts to communicate with the non-responsive device. If the device is responsive, the device is placed on-scan; otherwise, it restarts its off-scan time period.

Property Groups	<input checked="" type="checkbox"/> Auto-Demotion	
General	Demote on Failure	Enable <input type="button" value="v"/>
Scan Mode	Timeouts to Demote	3
Timing	Demotion Period (ms)	10000
Auto-Demotion	Discard Requests when Demoted	Disable

Demote on Failure: When enabled, the device is automatically taken off-scan until it is responding again.

 **Tip:** Determine when a device is off-scan by monitoring its demoted state using the `_AutoDemoted` system tag.


Timeouts to Demote: Specify how many successive cycles of request timeouts and retries occur before the device is placed off-scan. The valid range is 1 to 30 successive failures. The default is 3.

Demotion Period: Indicate how long the device should be placed off-scan when the timeouts value is reached. During this period, no read requests are sent to the device and all data associated with the read requests are set to bad quality. When this period expires, the driver places the device on-scan and allows for another attempt at communications. The valid range is 100 to 3600000 milliseconds. The default is 10000 milliseconds.

Discard Requests when Demoted: Select whether or not write requests should be attempted during the off-scan period. Disable to always send write requests regardless of the demotion period. Enable to discard writes; the server automatically fails any write request received from a client and does not post a message to the Event Log.


Device Properties – Tag Generation

The automatic tag database generation features make setting up an application a plug-and-play operation. Select communications drivers can be configured to automatically build a list of tags that correspond to device-specific data. These automatically generated tags (which depend on the nature of the supporting driver) can be browsed from the clients.

 *Not all devices and drivers support full automatic tag database generation and not all support the same data types. Consult the data types descriptions or the supported data type lists for each driver for specifics.*

If the target device supports its own local tag database, the driver reads the device's tag information and uses the data to generate tags within the server. If the device does not natively support named tags, the driver creates a list of tags based on driver-specific information. An example of these two conditions is as follows:

1. If a data acquisition system supports its own local tag database, the communications driver uses the tag names found in the device to build the server's tags.
2. If an Ethernet I/O system supports detection of its own available I/O module types, the communications driver automatically generates tags in the server that are based on the types of I/O modules plugged into the Ethernet I/O rack.

 **Note:** Automatic tag database generation's mode of operation is completely configurable. *For more information, refer to the property descriptions below.*

Property Groups	<input type="checkbox"/> Tag Generation	
General	On Device Startup	Do Not Generate on Startup
Timing	On Duplicate Tag	Delete on Create
Auto-Demotion	Parent Group	
Tag Generation	Allow Automatically Generated Subgroups	Enable
Communications	Create	Create tags
Redundancy		

On Property Change: If the device supports automatic tag generation when certain properties change, the **On Property Change** option is shown. It is set to **Yes** by default, but it can be set to **No** to control over when tag generation is performed. In this case, the **Create tags** action must be manually invoked to perform tag generation.

On Device Startup: Specify when OPC tags are automatically generated. Descriptions of the options are as follows:

- **Do Not Generate on Startup:** This option prevents the driver from adding any OPC tags to the tag space of the server. This is the default setting.
- **Always Generate on Startup:** This option causes the driver to evaluate the device for tag information. It also adds tags to the tag space of the server every time the server is launched.
- **Generate on First Startup:** This option causes the driver to evaluate the target device for tag information the first time the project is run. It also adds any OPC tags to the server tag space as needed.

● **Note:** When the option to automatically generate OPC tags is selected, any tags that are added to the server's tag space must be saved with the project. Users can configure the project to automatically save from the **Tools | Options** menu.

On Duplicate Tag: When automatic tag database generation is enabled, the server needs to know what to do with the tags that it may have previously added or with tags that have been added or modified after the communications driver since their original creation. This setting controls how the server handles OPC tags that were automatically generated and currently exist in the project. It also prevents automatically generated tags from accumulating in the server.

For example, if a user changes the I/O modules in the rack with the server configured to **Always Generate on Startup**, new tags would be added to the server every time the communications driver detected a new I/O module. If the old tags were not removed, many unused tags could accumulate in the server's tag space. The options are:

- **Delete on Create:** This option deletes any tags that were previously added to the tag space before any new tags are added. This is the default setting.
- **Overwrite as Necessary:** This option instructs the server to only remove the tags that the communications driver is replacing with new tags. Any tags that are not being overwritten remain in the server's tag space.
- **Do not Overwrite:** This option prevents the server from removing any tags that were previously generated or already existed in the server. The communications driver can only add tags that are completely new.
- **Do not Overwrite, Log Error:** This option has the same effect as the prior option and also posts an error message to the server's Event Log when a tag overwrite would have occurred.

● **Note:** Removing OPC tags affects tags that have been automatically generated by the communications driver as well as any tags that have been added using names that match generated tags. Users should avoid adding tags to the server using names that may match tags that are automatically generated by the driver.

Parent Group: This property keeps automatically generated tags from mixing with tags that have been entered manually by specifying a group to be used for automatically generated tags. The name of the group can be up to 256 characters. This parent group provides a root branch to which all automatically generated tags are added.

Allow Automatically Generated Subgroups: This property controls whether the server automatically creates subgroups for the automatically generated tags. This is the default setting. If disabled, the server generates the device's tags in a flat list without any grouping. In the server project, the resulting tags are named with the address value. For example, the tag names are not retained during the generation process.

● **Note:** If, as the server is generating tags, a tag is assigned the same name as an existing tag, the system automatically increments to the next highest number so that the tag name is not duplicated. For example, if the generation process creates a tag named "AI22" that already exists, it creates the tag as "AI23" instead.

Create: Initiates the creation of automatically generated OPC tags. If the device's configuration has been modified, **Create tags** forces the driver to reevaluate the device for possible tag changes. Its ability to be accessed from the System tags allows a client application to initiate tag database creation.

● **Note:** **Create tags** is disabled if the Configuration edits a project offline.

Device Properties – CM Configuration

CM Configuration	
IP of CM on Primary Network	0.0.0.5
IP of CM on Secondary Network	0.0.0.0

Descriptions of the properties are as follows:

- **IP of CM on Primary Network:** This property specifies the IP address of the communications module that is connected to the primary network.
- **IP of CM on Secondary Network:** This property specifies the IP address of the communications module that is connected to the secondary network. It will be available if network redundancy is enabled.

● **Note:** The primary and secondary IP addresses must be different. It is recommended that the primary and secondary networks have different subnet addresses.

● **See Also:** [Channel Setup](#) and [Network Redundancy](#).

Device Properties – Communications

Communications	
Bin Data Update Period (ms)	1000
Subscription Interval (s)	10
Use Timestamp from Device	No

Descriptions of the properties are as follows:

- **Bin Data Update Period (ms):** This property specifies the amount of time between updates. Instead of polling the device for data, the driver requests that the device send data updates at a given interval. Values for entire bins will be sent on each update. This method has proven to be more efficient with the Triconex controllers. The valid range is 50 to 10000 milliseconds. The default setting is 1000. For more information, refer to "Bin Data Update Period Notes" below.
- **Subscription Interval (sec):** This property specifies the frequency at which the driver will renew its subscription for data updates. Subscriptions must be renewed at least every 120 seconds, or data updates will stop. The valid range is 10 to 120 seconds. The default setting is 10.

● **Note:** The default subscription interval setting should be used when a TR_PORT_STATUS function block is being utilized in the device configuration. This will ensure that the driver sends something to the device every 10 seconds, and will maintain the function block's internal receive status flag.

- **Use Timestamp from Device (Trident Only):** When enabled, this option uses the timestamp sent from the device with data updates (instead of the timestamp associated with data that is normally set by the server as the time of receipt). This option is supported by Trident devices only. Timestamps will always be set by the server when using the Tricon model.

Bin Data Update Period Notes

1. When the driver services a Read request from the client application, it will return the last value sent by the device. The data quality will be "Good" if the last update was received within 2 times the update interval, "Uncertain" if the cached data is stale, or "Bad" until the first update is received.

2. If the device cannot send updates at this rate (or if it is configured with a slower scan rate), the data will most likely be flagged as stale between updates. For more information on how the driver processes data updates when network redundancy is enabled, refer to [Network Redundancy](#).
3. The Bin Data Update Period is a requested value. If the device is unable to deliver updates at the requested rate, the OPC data quality may fluctuate between updates and network errors may be reported. It is recommended that this value be at least twice the device scan period. If data from many bins is requested (or if a large amount of memory is allocated for some bins), a larger margin may be required due to message segmentation. Each update contains all of the values for each bin referenced in the client. The device will break update messages into 500 byte segments and may take up to 20 milliseconds to send each segment. For more information, refer to [Driver System Tags](#).
4. If reducing this setting, keep in mind that the device continues to send updates for two minutes after the last request was made. As such, the update rate may not change for up to two minutes even if new subscriptions are sent.

Device Properties – Tag Import

Tag Import	
Import File Name	
Import Node Name	TRINODE
Generate Device System Tags	No
Generate Driver System Tags	No

Descriptions of the properties are as follows:

- **Import File Name:** This property specifies the name and location of the TriStation export file from which data will be imported.
- **Note:** Before the driver can automatically create tags for all of the variables defined in the TriStation project, users must export the project from TriStation in XML format. The XML export file may contain data for multiple devices, each with a unique node name.
 - **Import Node Name:** This property specifies the node name associated with the tags that will be imported.
 - **Generate Device System Tags:** When enabled, this option will have the driver generate a standard set of the most useful System Tags. The TriStation export file does not contain device System Tags.
- **Note:** Users do not need to specify an import file to generate device System Tags. Data for these device System Tags is contained in bins 8 and 9. Since the Trident controllers do not support these bins, this option will not be enabled if the Trident model is selected.
 - **Generate Device System Tags:** When enabled, the driver will automatically generate a number of System Tags that can be used to monitor driver operation and network health. Users do not need to specify an import file to generate driver System Tags. For a list of tags, refer to [Device System Tags](#).
- **See Also:** [Automatic Tag Database Generation](#)

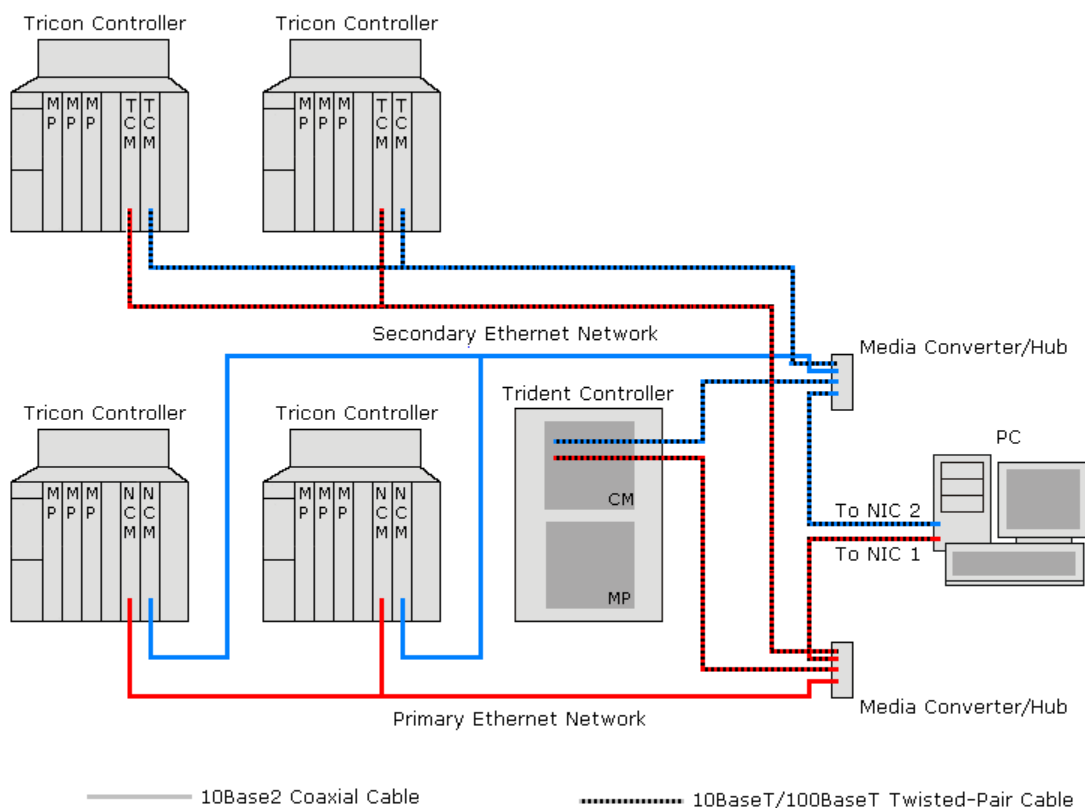
Network Redundancy

Network Configuration

Network Redundancy requires that each controller be equipped with two communications modules and that the computer running this driver be equipped with two network interface cards. It is recommended that the primary and secondary networks have different subnet addresses. For more information, refer to [Channel Setup](#) and [CM Configuration](#).

Media converters are usually required to connect Tricon controllers (which need a 2BaseT coaxial cable) to the NICs. NICs usually need 10BaseT or 100BaseT twisted pair cables. Trident controllers need 10BaseT and 100BaseT twisted pair cables, which can be connected to the NIC via a hub. Triconex recommends combination media converter/hubs from 3Com. A redundant network mixing Tricon and Trident controllers would appear similar to the one shown below.

Note: Following any change to the host machine's network adapters, the runtime must be restarted. Not restarting the runtime will prevent redundancy properties from being changed, will cause an error in the event log, and potentially an associated loss of connection.



Reads with Network Redundancy Enabled

This driver does not poll the device for data. Instead, it instructs the controller to send data updates at a given interval. Values will be sent for entire bins on each update. This method has proven to be more efficient with the Triconex controllers. For more information, refer to [Communications](#).

When network redundancy is enabled, the driver will request that the device send data updates on both networks. The driver will process updates from a single network however. If an update fails to arrive on that network within two update intervals, the driver will begin processing updates from the other network. Therefore, fresh data may not be available for up to three update periods following a network problem. The UpdatesFromPrimary and UpdatesFromSecondary driver System Tags can be used to monitor the network from which the driver is processing updates.

Though the driver processes updates from a single network, it does monitor incoming traffic from both networks. If nothing has been received on a network for over two update periods, the driver will flag that network as being in

error. The PrimaryNetworkError and SecondaryNetworkError driver System Tags can be used to monitor the network error state.

• **See Also:** [Device System Tags](#)

Writes with Network Redundancy Enabled

The driver will send a Write request over a single network, which network will be the primary unless the primary is known to be in error and the secondary is not. In that case, the request will go out the secondary. If a Write acknowledgement is not received within the request timeout period, the request will be retried on the other network. If a Write acknowledgement is still not received after another request timeout period, the driver will send the request again to both networks. The driver will continue to retry the request on both networks until an acknowledgement is received or the maximum number of retry attempts have been performed.

• **Note:** The device may take up to four scan cycles to complete a write request. The controller may be programmed to use a scan period as large as 400 milliseconds. Setting the request timeout too low may cause the driver to assume a Write has failed when it hasn't been processed by the controller yet.

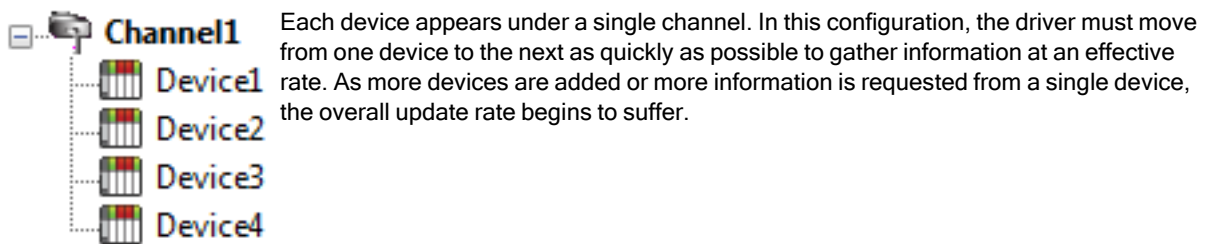
Optimizing Communications

The Triconex Ethernet Driver has been designed to provide the best performance with the least amount of impact on the system's overall performance. While the Triconex Ethernet Driver is fast, there are a couple of guidelines that can be used to control and optimize the application and gain maximum performance.

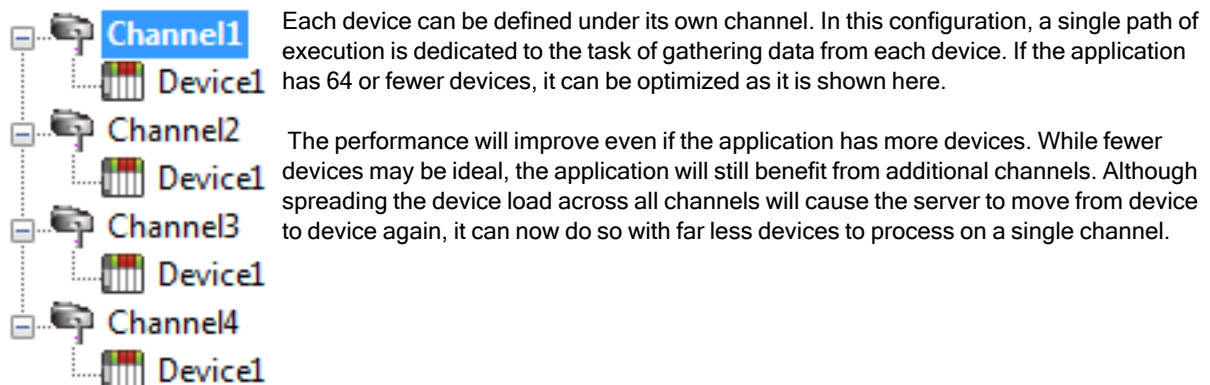
The server refers to communications protocols like Triconex Ethernet as a channel. Each channel defined in the application represents a separate path of execution in the server. Once a channel has been defined, a series of devices must then be defined under that channel. Each of these devices represents a single Triconex controller from which data will be collected. While this approach to defining the application will provide a high level of performance, it will not take advantage of the Triconex Ethernet Driver or the network.

It's important to understand how the Triconex Ethernet Driver reads and writes data. This driver is unique in the two following ways:

1. Instead of sending Read requests to the devices, the driver tells each device to send periodic data updates whose data is then stored in cache. When the server asks the driver to read a piece of data, the driver will return the last value stored in cache. This method is more efficient than polling for Triconex controllers.
2. The Triconex Ethernet Driver can service Write requests to multiple devices on a channel simultaneously. The driver must, however, wait for the last Write request pending on that channel to be completed before allowing the next set of writes to be issued (or any Reads to be performed). Since a Triconex device can take up to 4 scan cycles to complete a Write, and the scan period can be as large as 400 milliseconds, Writes can have a tremendous effect on overall performance.



If the Triconex Ethernet Driver could only define one single channel, then the example shown above would be the only option available; however, the Triconex Ethernet Driver can define up to 64 channels. Using multiple channels distributes the data collection workload by simultaneously issuing multiple requests to the network. An example of how the same application may appear when configured using multiple channels to improve performance is shown below.



Because Writes control the overall performance of the Triconex Ethernet Driver, it is important to consider how the client application writes to the server. If many writes must be performed, it may be better to send them at the same time so that the driver can block them together. As previously mentioned, writes can be sent to multiple devices even if they are on the same channel. Writes to multiple points in a given device can also be blocked in a single request, if the client issues them at nearly the same time. Users should be familiar with the server's Write Optimization features, which can be accessed from the Channel Properties.

Note: For an application where writes never occur, there is little advantage to distributing the devices over multiple channels because the devices are not polled.

Automatic Tag Database Generation

The Triconex Ethernet Driver can automatically create tags for all of the variables in the TriStation project. For information on how to automatically generate tags, refer to the instructions below.

1. To start, export the project from TriStation using XML Format. Then, save the file on the computer that will be running the driver.
2. Next, create a new Triconex OPC server project or load an existing project.
3. Then, right-click on the device for which tags will be generated and select **Properties | Tag Import**. Enter the file's name and path, and specify the node name associated with the tags that will be imported.
4. Click **OK**.
5. Next, click **Device Properties | Database Creation** and then select **Auto Create**. The driver will read the XML file and then generate the required tags.
6. Once finished, save the OPC server project.

• **See Also:** [Tag Import](#)

Data Types Description

Data Type	Description
Boolean	Single bit
Long	Signed 32-bit value bit 0 is the low bit bit 30 is the high bit bit 31 is the sign bit
DWord	Unsigned 32-bit value bit 0 is the low bit bit 31 is the high bit
Float	32-bit real

Address Descriptions

Address specifications vary depending on the model in use. To obtain address information for the model of interest, select a link from the list below.

[Tricon Addressing](#)

[Tricon Extended Addressing](#)

[Trident Addressing](#)

● **Note:** The driver has several System Tags that can be used to monitor the driver's operation. *For more information, refer to [Driver System Tags](#).*

Tricon Addressing

The Tricon model supports the following addresses. Memory may be addressed using either *Bin:Offset* syntax or Modbus aliases. The default data types for dynamically defined tags are shown in **bold** where appropriate.

Bin:Offset Addressing

Variable Type	Address Range	Data Type	Access
Output (BOOL)	00:0000-00:1999	Boolean	Read / Write
Memory (BOOL)	01:0000-01:1999	Boolean	Read / Write
Input (BOOL)	02:0000-02:1999	Boolean	Read Only
Memory (BOOL)	03:0000-03:1999	Boolean	Read Only
Input (DINT)	04:0000-04:0999 04:xxxx.00-04:xxxx.31	DWord, Long, Float Boolean	Read Only
Memory (DINT)	05:0000-05:0999 05:xxxx.00-05:xxxx.31	DWord , Long, Float Boolean	Read Only
Input (DINT)	06:0000-06:0119 06:xxxx.00-06:xxxx.31	DWord, Long, Float Boolean	Read Only
Memory (REAL)	07:0000-07:0999 07:xxxx.00-07:xxxx.31	DWord, Long, Float Boolean	Read Only
System Status (BOOL)	08:0000-08:5998	Boolean	Read Only
System Status (DINT)	09:0000-09:0368 09:xxxx.00-09:xxxx.31	DWord , Long, Float Boolean	Read Only
Output (DINT)	10:0000-10:0249 10:xxxx.00-10:xxxx.31	DWord, Long, Float Boolean	Read / Write
Memory (DINT)	11:0000-11:0749 11:xxxx.00-11:xxxx.31	DWord , Long, Float Boolean	Read / Write
Memory (REAL)	12:0000-12:0999 12:xxxx.00-12:xxxx.31	DWord, Long, Float Boolean	Read / Write

Modbus Alias Addressing

Variable Type	Address Range	Data Type	Access
Output (BOOL)	00001-02000	Boolean	Read / Write
Memory (BOOL)	02001-04000	Boolean	Read / Write
Input (BOOL)	10001-12000	Boolean	Read Only
Memory (BOOL)	12001-14000	Boolean	Read Only
Input (DINT)	30001-31000 xxxxx.00-xxxxx.31	DWord, Long, Float Boolean	Read Only
Memory (DINT)	31001-32000 xxxxx.00-xxxxx.31	DWord , Long, Float Boolean	Read Only
Input (REAL)	32001-32120	DWord, Long, Float	Read Only

Variable Type	Address Range	Data Type	Access
	xxxxx.00-xxxxx.31	Boolean	
Memory (REAL)	33001-34000 xxxxx.00-xxxxx.31	DWord, Long, Float Boolean	Read Only
System Status (BOOL)	14001-19999	Boolean	Read Only
System Status (DINT)	39631-39999 xxxxx.00-xxxxx.15	Word , Short Boolean	Read Only
Output (DINT)	40001-40250 xxxxx.00-xxxxx.31	DWord, Long, Float Boolean	Read / Write
Memory (DINT)	40251-41000 xxxxx.00-xxxxx.31	DWord , Long, Float Boolean	Read / Write
Memory (REAL)	41001-42000 xxxxx.00-xxxxx.31	DWord, Long, Float Boolean	Read / Write

● **Note:** DINT system status variables, bin 9 data, are addressed as 16-bit registers when using Modbus Aliases. All other DINT and REAL variable types are addressed as 32-bit registers when using Modbus Aliases.

Examples

The following examples show the relationship between some Modbus Aliases and Bin:Offset addresses.

1. 39633 and 9:1 both address the system variable Year.
2. 39635 and 9:2 both address the system variable Month.
3. 39663 addresses the low word of the DINT value addressed by 9:16. This is the current control program version number system variable. The low word is the minor version number.
4. 39664 addresses the high word of the DINT value addressed by 9:16. This is the current control program version number system variable. The high work is the major version number.
5. 00001 and 0:0 both address the same BOOL output.
6. 00002 and 0:1 both address the same BOOL output.
7. 30001 and 4:0 both address the same REAL input.
8. 30002 and 4:1 both address the same REAL input.

Write Requests

For the device to process Write requests, the following statements must be true.

1. The variables must be defined as Read / Write.
2. For Tricon, the keyswitch must be in the Program or Remote position. For Trident, the Remote mode must be enabled by setting a system attribute.
3. The TriStation configuration setting (Disable Remote Changes to Outputs) which was downloaded to the controller must allow remote changes.
 - **Note:** This setting only affects changes to discrete outputs and analog outputs.
4. The TriStation configuration for the ACM or NCM (Tricon) and CM (Trident) must be configured as Read / Write.

● **Note:** If the controller cannot write the data, it sends as reject response coded. *For more information, refer to [Write failed for tag '<address>' on device '<device>'. TSAA Response Code: <code>](#).*

Basic Address Example

Users may address values using the *Bin:Offset* syntax or with a Modbus Alias.

10:0012 addresses the bin 10 float value with offset 12.
The same value can be addressed using the Modbus Alias 40013.

Bit Address Example

Individual bits in DINT types may be addressed by appending the "dot bit number" to a basic address.

05:0010.2 addresses bit 2 of the bin 5 DINT value with offset 10.
The same bit can be addressed using the Modbus Alias 31011.2.

Array Address Examples

Multiple data points may be accessed as array data.

1. 05:0010 [4] addresses bin 5 DINT values with offsets 10, 11, 12, and 13.
The same range of values can be addressed using the Modbus Alias 31011 [4].
2. 05:0010 [4][5] addresses bin 5 DINT values with offsets from 10, to 29 as a 2-D array.
The same range of values can be addressed using the Modbus Alias 31011 [4][5].

Tricon Extended Addressing

The Tricon Extended model supports the following addresses. Memory may be addressed using either *Bin:Offset* syntax or Modbus aliases. The default data types for dynamically defined tags are shown in **bold** where appropriate.

Bin:Offset Addressing

Variable Type	Address Range	Data Type	Access
Output (BOOL)	00:0000-00:4095	Boolean	Read / Write
Memory (BOOL)	01:0000-01:4095	Boolean	Read / Write
Input (BOOL)	02:0000-02:4095	Boolean	Read Only
Memory (BOOL)	03:0000-03:4095	Boolean	Read Only
Input (DINT)	04:0000-04:2047 04:xxxx.00-04:xxxx.31	DWord , Long, Float, Boolean	Read Only
Memory (DINT)	05:0000-05:2047 05:xxxx.00-05:xxxx.31	DWord , Long, Float, Boolean	Read Only
Input (REAL)	06:0000-06:2047 06:xxxx.00-06:xxxx.31	DWord , Long, Float , Boolean	Read Only
Memory (REAL)	07:0000-07:2047 07:xxxx.00-07:xxxx.31	DWord , Long, Float , Boolean	Read Only
Output (DINT)	10:0000-10:1023 10:xxxx.00-10:xxxx.31	DWord , Long, Float, Boolean	Read / Write
Memory (DINT)	11:0000-11:2047 11:xxxx.00-11:xxxx.31	DWord , Long, Float, Boolean	Read / Write
Memory (REAL)	12:0000-12:2047 12:xxxx.00-12:xxxx.31	DWord , Long, Float , Boolean	Read / Write

Modbus Alias Addressing

Variable Type	Address Range	Data Type	Access
Output (BOOL)	010001 - 014096	Boolean	Read / Write
Memory (BOOL)	020001 - 024096	Boolean	Read / Write
Input (BOOL)	110001 - 114096	Boolean	Read Only
Memory (BOOL)	120001 - 124096	Boolean	Read Only
Input (DINT)	310001 - 312048 xxxxxx.00-xxxxxx.31	DWord , Long, Float, Boolean	Read Only
Memory (DINT)	320001 - 322048 xxxxxx.00-xxxxxx.31	DWord , Long, Float, Boolean	Read Only
Input (REAL)	330001 - 332048 xxxxxx.00-xxxxxx.31	DWord , Long, Float , Boolean	Read Only

Variable Type	Address Range	Data Type	Access
Memory (REAL)	325001 - 327048 xxxxxx.00-xxxxxx.31	DWord, Long, Float , Boolean	Read Only
Output (DINT)	410001 - 411024 xxxxxx.00-xxxxxx.31	DWord , Long, Float, Boolean	Read / Write
Memory (DINT)	415001 - 417048 xxxxxx.00-xxxxxx.31	DWord , Long, Float, Boolean	Read / Write
Memory (REAL)	420001 - 422048 xxxxxx.00-xxxxxx.31	DWord, Long, Float , Boolean	Read / Write

● **Notes:**

1. This range is limited to Tricon 11.2 version Triconex hardware.
2. All DINT and REAL variable types are addressed as 32-bit registers when using Modbus Aliases.

Examples

The following examples show the relationship between some Modbus Aliases and Bin:Offset addresses.

1. 010001 and 0:0 both address the same BOOL output.
2. 010002 and 0:1 both address the same BOOL output.
3. 330001 and 6:0 both address the same REAL input.
4. 330002 and 6:1 both address the same REAL input.

Write Requests

For the device to process Write requests, the following statements must be true.

1. The variables must be defined as Read / Write.
2. For Tricon, the keyswitch must be in the Program or Remote position. For Trident, the Remote mode must be enabled by setting a system attribute.
3. The TriStation configuration setting (Disable Remote Changes to Outputs) which was downloaded to the controller must allow remote changes.
 - **Note:** This setting only affects changes to discrete outputs and analog outputs.
4. The TriStation configuration for the ACM or NCM (Tricon) and CM (Trident) must be configured as Read / Write.

● **Note:** If the controller cannot write the data, it sends as reject response coded. *For more information, refer to [Write failed for tag '<address>' on device '<device>'. TSAA Response Code: <code>](#).*

Basic Address Example

Users may address values using the Bin:Offset syntax or with a Modbus Alias.

10:0012 addresses the bin 10 float value with offset 12.
The same value can be addressed using the Modbus Alias 420013.

Bit Address Example

Individual bits in DINT types may be addressed by appending the "dot bit number" to a basic address.

05:0010.2 addresses bit 2 of the bin 5 DINT value with offset 10.
The same bit can be addressed using the Modbus Alias 320011.2.

Array Address Examples

Multiple data points may be accessed as array data.

05:0010 [4] addresses bin 5 DINT values with offsets 10, 11, 12, and 13.
The same range of values can be addressed using the Modbus Alias 320011 [4].

05:0010 [4][5] addresses bin 5 DINT values with offsets from 10, to 29 as a 2-D array.
The same range of values can be addressed using the Modbus Alias 320011 [4][5].

Trident Addressing

The Trident model supports the following addresses. Memory can be addressed using either *Bin:Offset* syntax or Modbus aliases. The default data types for dynamically defined tags are shown in **bold** where appropriate.

Bin:Offset Addressing

Variable Type	Address Range	Data Type	Access
Output (BOOL)	00:0000-00:1999	Boolean	Read / Write
Memory (BOOL)	01:0000-01:1999	Boolean	Read / Write
Input (BOOL)	02:0000-02:1999	Boolean	Read Only
Memory (BOOL)	03:0000-03:1999	Boolean	Read Only
Input (DINT)	04:0000-04:0999 04:xxxx.00-04:xxxx.31	DWord, Long, Float Boolean	Read Only
Memory (DINT)	05:0000-05:0999 05:xxxx.00-05:xxxx.31	DWord , Long, Float Boolean	Read Only
Input (REAL)	06:0000-06:0119 06:xxxx.00-06:xxxx.31	DWord, Long, Float Boolean	Read Only
Memory (REAL)	07:0000-07:0999 07:xxxx.00-07:xxxx.31	DWord, Long, Float Boolean	Read Only
Output (DINT)	10:0000-10:0249 10:xxxx.00-10:xxxx.31	DWord, Long, Float Boolean	Read / Write
Memory (DINT)	11:0000-11:0749 11:xxxx.00-11:xxxx.31	DWord , Long, Float Boolean	Read / Write
Memory (REAL)	12:0000-12:0999 12:xxxx.00-12:xxxx.31	DWord, Long, Float Boolean	Read / Write

Modbus Alias Addressing

Variable Type	Address Range	Data Type	Access
Output (BOOL)	00001-02000	Boolean	Read / Write
Memory (BOOL)	02001-04000	Boolean	Read / Write
Input (BOOL)	10001-12000	Boolean	Read Only
Memory (BOOL)	12001-14000	Boolean	Read Only
Input (DINT)	30001-31000 xxxxx.00-xxxxx.31	DWord, Long, Float Boolean	Read Only
Memory (DINT)	31001-32000 xxxxx.00-xxxxx.31	DWord , Long, Float Boolean	Read Only
Input (REAL)	32001-32120 xxxxx.00-xxxxx.31	DWord, Long, Float Boolean	Read Only
Memory (REAL)	33001-34000 xxxxx.00-xxxxx.31	DWord, Long, Float Boolean	Read Only
Output (DINT)	40001-40250 xxxxx.00-xxxxx.31	DWord, Long, Float Boolean	Read / Write
Memory (DINT)	40251-41000 xxxxx.00-xxxxx.31	DWord , Long, Float Boolean	Read / Write
Memory (REAL)	41001-42000 xxxxx.00-xxxxx.31	DWord, Long, Float Boolean	Read / Write

● **Note:** All DINT and REAL variable types are addressed as 32-bit registers when using Modbus Aliases.

Examples

The following examples show the relationship between some Modbus Aliases and Bin:Offset addresses.

1. 00001 and 0:0 both address the same BOOL output.
2. 00002 and 0:1 both address the same BOOL output.
3. 30001 and 4:0 both address the same REAL input.
4. 30002 and 4:1 both address the same REAL input.

Write Requests

For the device to process Write requests, the following statements must be true.

1. The variables must be defined as Read / Write.
2. For Tricon, the keyswitch must be in the Program or Remote position. For Trident, the Remote mode must be enabled by setting a system attribute.
3. The TriStation configuration setting (Disable Remote Changes to Outputs) which was downloaded to the controller must allow remote changes.
 - **Note:** This setting only affects changes to discrete outputs and analog outputs.
4. The TriStation configuration for the ACM or NCM (Tricon) and CM (Trident) must be configured as Read / Write.

● **Note:** If the controller cannot write the data, it sends as reject response coded. *For more information, refer to [Write failed for tag '<address>' on device '<device>'. TSAA Response Code: <code>](#).*

Basic Address Example

Users may address values using the *Bin:Offset* syntax or with a Modbus Alias.

10:0012 addresses the bin 10 float value with offset 12.
The same value can be addressed using the Modbus Alias 40013.

Bit Address Example

Individual bits in DINT types may be addressed by appending the "dot bit number" to a basic address.

05:0010.2 addresses bit 2 of the bin 5 DINT value with offset 10.
The same bit can be addressed using the Modbus Alias 31011.2.

Array Address Examples

Multiple data points may be accessed as array data.

1. 05:0010 [4] addresses bin 5 DINT values with offsets 10, 11, 12, and 13.
The same range of values can be addressed using the Modbus Alias 31011 [4].
2. 05:0010 [4][5] addresses bin 5 DINT values with offsets from 10, to 29 as a 2-D array.
The same range of values can be addressed using the Modbus Alias 31011 [4][5].

Device System Tags

Tags may be created with the following addresses to monitor driver operation.

Address	Data Type	Access	Description
PrimaryNetworkError	Boolean	Read Only	Set to 0 if the state of the primary network appears to be good or is uncertain. Set to 1 if the state of the primary network appears to be bad. Set when an expected message is not received.
SecondaryNetworkError	Boolean	Read Only	Set to 0 if the state of the secondary network appears to be good or is uncertain.

Address	Data Type	Access	Description
			Set to 1 if the state of the secondary network appears to be bad. Set when an expected message is not received or network redundancy is not enabled.
UpdatesFromPrimary	Boolean	Read Only	Set to 1 when the driver is processing data updates from the primary network.*
UpdatesFromSecondary	Boolean	Read Only	Set to 1 when the driver is processing data updates from the secondary network.**

*Updates may also be coming in on the secondary network, but are ignored by the driver.

**Updates may also be coming in on the primary network, but are ignored by the driver.

Error Descriptions

The following error/warning messages may be generated. Click on the link for a description of the message.

Address Validation

[Address '<address>' is out of range for the specified device or register](#)

[Data Type '<type>' is not valid for device address '<address>'](#)

[Device address '<address>' contains a syntax error](#)

[Device address '<address>' is not supported by model '<model name>'](#)

[Device address '<address>' is read only](#)

[Missing address](#)

Device Status Messages

[Could not detect available network adapters for <primary/secondary> network](#)

[Device '<device name>' is not responding](#)

[Failed to load Winsock or related library](#)

[Tag import error - invalid bin in item path: '<item path>'](#)

[Tag import error - invalid item path format: '<item path>'](#)

[Tag import error - invalid name: '<tag name>'](#)

[Tag import error - invalid offset in item path: '<item path>'](#)

[Tag import failed. Could not find data for node '<node>'](#)

[Tag import failed. Could not open file '<file>'](#)

[Tag import failed due to unexpected XML format in '<file>'](#)

[Tag import failed. No import file name or system tags specified](#)

[Unable to process data update on device '<device>'. CRC error](#)

[Unable to process data update on device '<device>'. Unexpected message format](#)

[Unable to process data update on device '<device>'. Unexpected model](#)

[Unable to process data update on device '<device>'. Unexpected node number](#)

[Unable to use network redundancy on channel '<channel>'](#)

[Unable to use specified primary network adapter '<adapter>' on channel '<channel>'. Using '<adapter>'](#)

[Unable to use specified secondary network adapter '<adapter>' on channel '<channel>'. Using '<adapter>'](#)

[Winsock initialization failed \(OS Error = <error code>\)](#)

[Winsock V1.1 or higher must be installed to use the Triconex Ethernet Driver](#)

[Write failed for tag '<address>' on device '<device>'. CRC error](#)

[Write failed for tag '<address>' on device '<device>'. No data for read/modify/write](#)

[Write failed for tag '<address>' on device '<device>'. Timeout](#)

[Write failed for tag '<address>' on device '<device>'. TSAA Response Code: <code>](#)

[Write failed for tag '<address>' on device '<device>'. Unexpected model](#)

[Write failed for tag '<address>' on device '<device>'. Unexpected node number](#)

[Write failed for tag '<address>' on device '<device>'. Unexpected response format](#)

Address '<address>' is out of range for the specified device or register

Error Type:

Warning

Possible Cause:

A tag address that has been specified dynamically references a location that is beyond the range of supported locations for the device.

Solution:

Verify the address is correct; if it is not, re-enter it in the client application.

Data Type '<type>' is not valid for device address '<address>'

Error Type:

Warning

Possible Cause:

A tag address that has been specified dynamically has been assigned an invalid data type.

Solution:

Modify the requested data type in the client application.

Device address '<address>' contains a syntax error

Error Type:

Warning

Possible Cause:

A tag address that has been specified dynamically contains one or more invalid characters.

Solution:

Re-enter the address in the client application.

Device address '<address>' is not supported by model '<model name>'

Error Type:

Warning

Possible Cause:

A tag address that has been specified dynamically references a location that is valid for the communications protocol but not supported by the target device.

Solution:

1. Verify that the address is correct; if it is not, re-enter it in the client application.
2. Verify that the selected model name for the device is correct.

Device address '<address>' is Read Only

Error Type:

Warning

Possible Cause:

A tag address that has been specified dynamically has a requested access mode that is not compatible with what the device supports for that address.

Solution:

Change the access mode in the client application.

Missing address

Error Type:

Warning

Possible Cause:

A tag address that has been specified dynamically has no length.

Solution:

Re-enter the address in the client application.

Could not detect available network adapters for <primary/secondary> network

Error Type:

Serious

Possible Cause:

The network adapters are not connected to a hub or other device.

Solution:

The network adapters must be connected to a device or hub in order for Windows to correctly report their configuration to the driver. Verify the network connection.

Device '<device name>' is not responding

Error Type:

Serious

Possible Cause:

1. The network connection between the device and the Host PC is broken.
2. The named device may have been assigned an incorrect IP, Device ID, or model.
3. An expected data update was late.
4. The response from the device took longer to receive than the amount of time specified in the Request Timeout.

Solution:

1. Verify the cabling between the PC and the PLC.
2. Verify the Device Properties.
3. Consider increasing the Bin Data Update Period if the device is not capable of sending updates at the requested rate.
4. Increase the Request Timeout setting so that the entire response can be handled.

See Also:

[Communications](#)

Failed to load Winsock or related library

Error Type:

Fatal

Possible Cause:

The driver could not load Winsock (winsock.dll) or the IP Helper API dll (iphlpapi.dll).

Solution:

These libraries are normally installed with Windows. Verify that these files exist in the system folder.

Tag import error - invalid bin in item path: '<item path>'

Error Type:

Warning

Possible Cause:

An entry in the import file had an item path with an invalid bin number.

Solution:

Verify that the item path has the format `<node name>:<bin>:<offset>` and that the bin number is between 0 and 12.

Tag import error - invalid item path format: '<item path>'

Error Type:

Warning

Possible Cause:

An entry in the import file had an unexpected item path format.

Solution:

Verify that the item paths in the export file have the format `<node name>:<bin>:<offset>`.

Tag import error - invalid name: '<tag name>'

Error Type:

Warning

Possible Cause:

The PST alias name value does not conform to the server's tag naming rules.

Solution:

1. Verify that the name contains only alphanumeric characters and underscores.
2. Verify that the first character is not an underscore, editing the import file if necessary.

Note:

There should be two entries for each tag. The first entry gives the tag name and the second gives the Modbus alias. The driver skips the entries with Modbus alias values.

Tag import error - invalid offset in item path: '<item path>'

Error Type:

Warning

Possible Cause:

An entry in the import file had an item path with an invalid offset value.

Solution:

Verify that the item path has the format `<node name>:<bin>:<offset>` and that the offset is within the valid range for the bin.

See Also:

[Address Descriptions](#)

Tag import failed. Could not find data for node '<node>'

Error Type:

Warning

Possible Cause:

The driver did not find any entires in the import file with the specified node name.

Solution:

Verify that the correct node name has been specified.

Note:

The node name is given by the PSTAliasGroup name.

Tag import failed. Could not open file '<file>'

Error Type:

Warning

Possible Cause:

The driver could not find or open the import file specified on the Tag Import page in Device Properties.

Solution:

1. Verify that the file exists and that the specified path is correct.
2. Make sure that no other application has opened the file.

See Also:

[Tag Import](#)

Tag import failed due to unexpected XML format in '<file>'

Error Type:

Warning

Possible Cause:

The driver could not process the import file because it did not have the expected format.

Solution:

Verify that the data is exported from TriStation in XML format.

Tag import failed. No import file name or system tags specified

Error Type:

Warning

Possible Cause:

No tag import options were specified in the Tag Import page in Device Properties when the driver attempted to generate a tag database.

Solution:

Verify that an import file name is specified or that one of the system tag options is selected when tag generation is started.

See Also:

[Tag Import](#)

Unable to process data update on device '<device>'. CRC error

Error Type:

Warning

Possible Cause:

The driver rejected a data update message because its CRC checksum was not valid.

Solution:

This error implies noise in the network. If this error is persistent, efforts should be made to improve network reliability.

Unable to process data update on device '<device>'. Unexpected message format

Error Type:

Warning

Possible Cause:

The driver rejected a data update message because it did not have the expected format.

Solution:

If the problem persists and does not appear to be network related, perform a Channel Diagnostics capture of the incoming update messages and contact Technical Support.

Unable to process data update on device '<device>'. Unexpected model

Error Type:

Warning

Possible Cause:

The driver rejected a data update message because it did not have the expected model number.

Solution:

Verify the model setting.

See Also:

[Device Setup](#)

Unable to process data update on device '<device>'. Unexpected node number

Error Type:

Warning

Possible Cause:

The driver rejected a data update message because it did not have the expected node number.

Solution:

Verify the Device ID setting.

See Also:

[Device Setup](#)

Unable to use network redundancy on channel '<channel>'

Error Type:

Warning

Possible Cause:

1. The driver loaded a project that was created on a computer that had multiple network interface cards.
2. The network adapter cards are not connected to a device or hub.

Solution:

1. Reset the Network Interface in Channel Properties to be compatible with the host computer. To use network redundancy, the host computer must have two network interface cards (NICs) installed. Save the adjusted setting.
2. The network adapters must be connected to a device or hub in order for Windows to correctly report their configuration to the driver. Ensure that the adapters are connected.

See Also:[Channel Setup](#)[Network Redundancy](#)**Unable to use specified primary network adapter '<adapter>' on channel '<channel>'**

Error Type:

Warning

Possible Cause:

1. The driver loaded a project that was created on another computer with different network interface hardware or IP address.
2. The network adapter cards are not connected to a device or hub.

Solution:

1. Reset the Network Interface in Channel Properties to be compatible with the host computer. To use network redundancy, the host computer must have two network interface cards (NICs) installed. Save the adjusted setting.
2. The network adapters must be connected to a device or hub in order for Windows to correctly report their configuration to the driver. Ensure that the adapters are connected.

See Also:[Channel Setup](#)[Network Redundancy](#)**Unable to use specified secondary network adapter '<adapter>' on channel '<channel>'**

Error Type:

Warning

Possible Cause:

1. The driver loaded a project that was created on another computer with different network interface hardware or IP address.
2. The network adapter cards are not connected to a device or hub.

Solution:

1. Reset the Network Interface in Channel Properties to be compatible with the host computer. To use network redundancy, the host computer must have two network interface cards (NICs) installed. Save the adjusted setting.
2. The network adapters must be connected to a device or hub in order for Windows to correctly report the configuration to the driver. Ensure that the adapters are connected.

See Also:

[Channel Setup](#)

[Network Redundancy](#)

Winsock initialization failed (OS Error = <error code>)

Error Type:

Fatal

OS Error	Indication	Possible Solution
10091	Indicates that the underlying network subsystem is not ready for network communication.	Wait a few seconds and restart the driver.
10067	Limit on the number of tasks supported by the Windows Sockets implementation has been reached.	Close one or more applications that may be using Winsock and restart the driver.

Winsock V1.1 or higher must be installed to use the Triconex Ethernet device driver

Error Type:

Fatal

Possible Cause:

The version number of the Winsock DLL found on the system is less than 1.1.

Solution:

Upgrade Winsock to version 1.1 or higher.

Write failed for tag '<address>' on device '<device>'. CRC error

Error Type:

Warning

Possible Cause:

The driver rejected a write complete message because its CRC checksum was not valid.

Solution:

This error implies noise in the network. If this error is persistent, efforts should be made to improve network reliability.

Write failed for tag '<address>' on device '<device>'. No data for Read/Modify/Write

Error Type:

Warning

Possible Cause:

Bit writes require a read/modify/write procedure. The last known value has bad quality.

Solution:

Ensure that the driver has had time to receive a data update for the value in question before bit writes are performed. Failure can occur before an initial data update has been received or following a network failure.

Write failed for tag '<address>' on device '<device>'. Timeout

Error Type:

Warning

Possible Cause:

The driver did not receive a write complete message after the request timeout period and number of retries.

Solution:

Triconex devices can take a long time to process Writes. Thus, a timeout error does not necessarily mean the device did not receive the write request or has failed to process it. Ensure that an ample request timeout period has been specified that is consistent with the device's scan rate.

Note:

Other reasons for timeout errors could be related to hardware or network failure.

See Also:

[Device Setup](#)

Write failed for tag '<address>' on device '<device>'. TSAA Response Code: <code>

Error Type:

Warning

Possible Cause:

The device could not complete the write request for the reason given by the response code.

Solution:

Proper solution depend on failure reason. For more information, refer to the table below.

Code	Description
1	No buffer available to process the request.
2	Bin number specified in the request was out of range.
3	The Tricon NCM or Trident CM module is busy processing previous request and cannot accept another request. This can happen if more than four write request are outstanding at one time.
4	No MP is running.
5	TSX has rejected the request. the Reason contains the specific reason.
6	Request to TSX timed out.
7	Invalid response from TX.
8	Message was too big.
9	Offset or number of values in the request was invalid.
10	No control program (TriStation applications).
11	Read Only port.
236	Bad SOE number.
237	Invalid SOE type.
238	Invalid SOE state.

Write failed for tag '<address>' on device '<device>'. Unexpected model

Error Type:

Warning

Possible Cause:

The driver rejected a write complete message because it did not have the expected model number.

Solution:

Verify the model setting.

See Also:

[Device Setup](#)

Write failed for tag '<address>' on device '<device>'. Unexpected node number**Error Type:**

Warning

Possible Cause:

The driver rejected a write complete message because it did not have the expected node number.

Solution:

Verify the Device ID setting.

See Also:

[Device Setup](#)

Write failed for tag '<address>' on device '<device>'. Unexpected response format**Error Type:**

Warning

Possible Cause:

The driver rejected a write complete message because it did not have the expected format.

Solution:

If the problem persists and does not appear to be network related, perform a Channel Diagnostics capture of the incoming update messages and contact Technical Support.

Index

A

Address '<address>' is out of range for the specified device or register 28
Address Descriptions 20
Allow Sub Groups 12
Array Address 22, 25
Attempts Before Timeout 10
Auto-Demotion 11
Automatic Tag Database Generation 18

B

Bit Address 21, 25
Boolean 19

C

Channel Assignment 8
Channel Properties – Advanced 6
Channel Properties – General 5
Channel Properties – Write Optimizations 6
CM Configuration 13
Communication Protocol 4
Communications 13
Communications Timeouts 10
Connect Timeout 10
Could not detect available network adapters for <primary/secondary> network 29
Create 13

D

Data Collection 9
Data Type '<type>' is not valid for device address '<address>' 28
Data Types Description 19
Delete 12
Demote on Failure 11
Demotion Period 11
Device '<device name>' is not responding 29
Device address '<address>' contains a syntax error 28
Device address '<address>' is not supported by model '<model name>' 28

Device address '<address>' is Read Only 28
Device Properties – Auto-Demotion 11
Device Properties – General 8
Device Properties – Tag Generation 11
Device Properties – Timing 10
Device System Tags 14, 25
Diagnostics 5
Discard Requests when Demoted 11
Do Not Scan, Demand Poll Only 10
Driver 8
Driver System Tags 15
Duty Cycle 6
DWord 19

E

Error Descriptions 27

F

Failed to load Winsock or related library 29
Float 19

G

General 8
Generate 12

I

ID 8
Identification 5, 8
Import File 14
Initial Updates from Cache 10
Inter-Device Delay 7

L

Long 19

M

Missing address 29

Model 8

N

Name 8

Network Interface 7

Network Redundancy 15

Node Name 14

Non-Normalized Float Handling 6

O

On Device Startup 12

On Duplicate Tag 12

On Property Change 12

OPC Data Quality 14

Operating Mode 8

Optimization Method 6

Optimizing Communications 17

Overview 4

Overwrite 12

P

Parent Group 12

R

Reads 15

Replace with Zero 7

Request Timeout 4, 10

Respect Tag-Specified Scan Rate 10

S

Scan Mode 9

Setup 4

Simulated 9

T

Tag Counts 5, 9
Tag Generation 11
Tag Import 14
Tag import error - invalid bin in item path/
'<item path>' 30
Tag import error - invalid item path format: '<item path>' 30
Tag import error - invalid name: '<tag name>' 30
Tag import error - invalid offset in item path: '<item path>' 30
Tag import failed due to unexpected XML format in '<file>' 31
Tag import failed. Could not find data for node '<node>' 31
Tag import failed. Could not open file '<file>' 31
Tag import failed. No import file name or system tags specified 31
Timeouts to Demote 11
Timestamp 13
Timing 10
Tricon Addressing 20
Triconex Addressing 22
Triconex System Access Application (TSAA) 4
Trident Addressing 24
TriStation 18

U

Unable to process data update on device '<device>'. CRC error 32
Unable to process data update on device '<device>'. Unexpected message format 32
Unable to process data update on device '<device>'. Unexpected model 32
Unable to process data update on device '<device>'. Unexpected node number 32
Unable to use network redundancy on channel '<channel>' 32
Unable to use specified primary network adapter '<adapter>' on channel '<channel>' 33
Unable to use specified secondary network adapter '<adapter>' on channel '<channel>' 33
Unmodified 7
Update Rate 14

W

Winsock initialization failed (OS Error = <error code>) 34
Winsock V1.1 or higher must be installed to use the Triconex Ethernet device driver 34
Write All Values for All Tags 6
Write failed for tag '<address>' on device '<device>'. CRC error 34
Write failed for tag '<address>' on device '<device>'. No data for Read/Modify/Write 34
Write failed for tag '<address>' on device '<device>'. Timeout 35
Write failed for tag '<address>' on device '<device>'. TSAA Response Code: <code> 35

Write failed for tag '<address>' on device '<device>'. Unexpected model 35

Write failed for tag '<address>' on device '<device>'. Unexpected node number 36

Write failed for tag '<address>' on device '<device>'. Unexpected response format 36

Write Only Latest Value for All Tags 6

Write Only Latest Value for Non-Boolean Tags 6

Writes 16